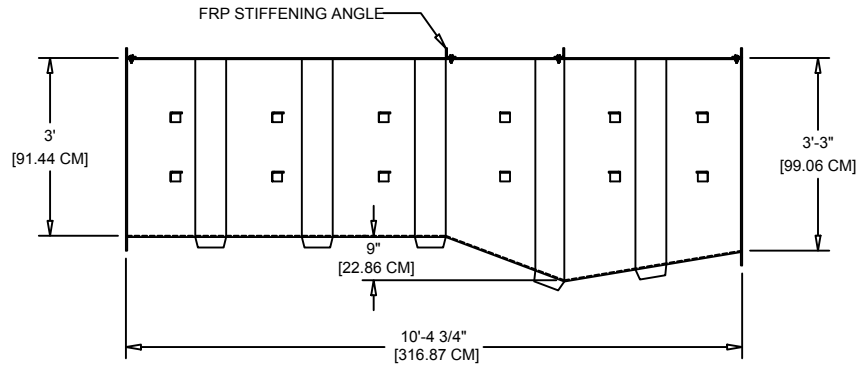
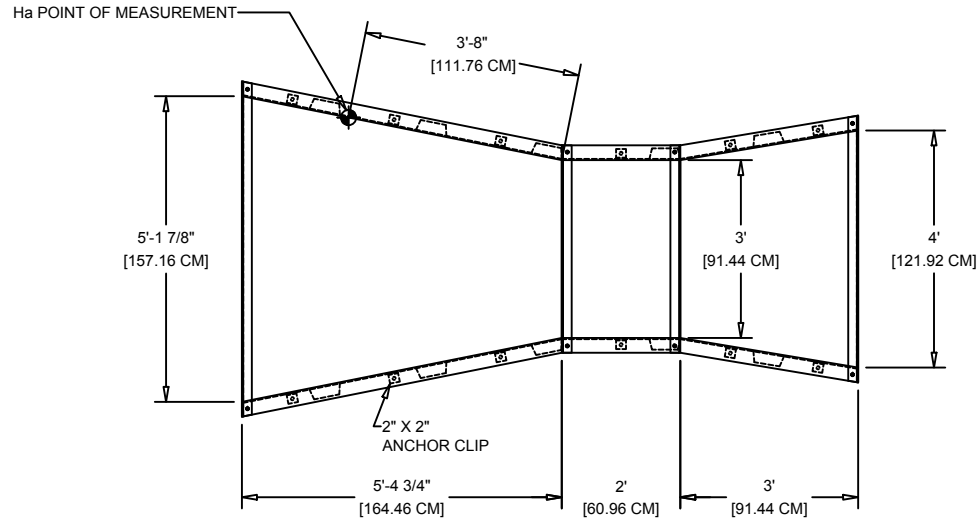


FREE-FLOW CAPACITY: 146.3 GPM [9,232 L/S] MINIMUM - 22,616 GPM [1,427 L/S] MAXIMUM



- NOTES:
- 1) FLOW IS FROM LEFT TO RIGHT
  - 2) ALL HARDWARE TO BE STAINLESS STEEL
  - 3) ANCHOR CLIPS AND PULTRUDED FRP TOP STIFFENING ANGLES
  - 4) MINIMUM FRP LAMINATE THICKNESS IS: 1/4" [0.635 CM] WITH 30% GLASS CONTENT AND 15 MIL (MIN.) GEL COAT WITH U.V. INHIBITORS

OPENCHANNELFLOW BOISE   ATLANTA		
DWG NO.	P-F-36-N-N-N-N-N (1)	DATE 9.27.16
FIBERGLASS 36" PARSHALL FLUME		

This drawing and the data contained within is the sole, confidential property of OPENCHANNELFLOW.COM (OCF) and may not be copied, reproduced, disclosed to others, in whole or in part, without the prior written consent of OCF. OCF reserves the right to change any dimension, finish, material, or method of construction indicated on this drawing at will and without notice. This drawing is provided in confidence with the understanding it shall be returned to OCF upon demand.

Unless otherwise indicated, dimensions are in feet and inches, with centimeters indicated in [ ]. Angles are in degrees.

