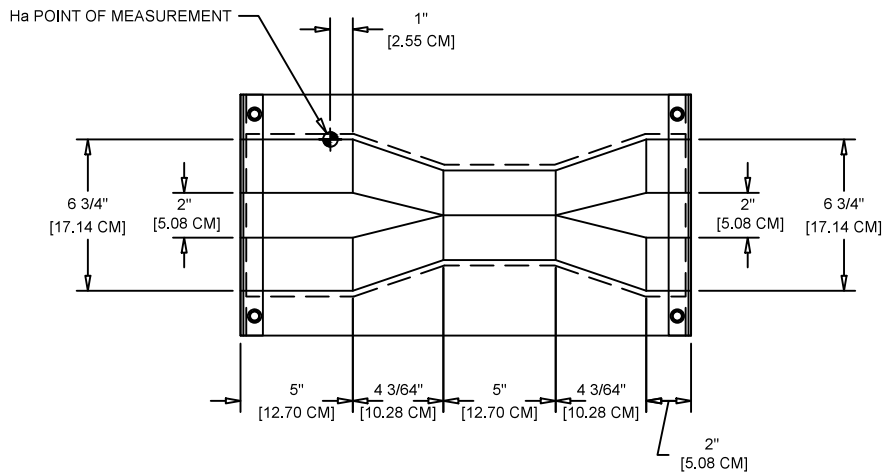
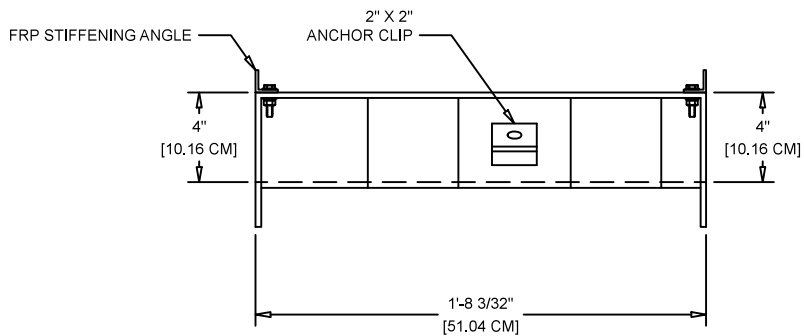


FREE-FLOW CAPACITY: 0.0819 GPM [0.0052 L/S] MINIMUM - 39.82 GPM [2.512 L/S] MAXIMUM

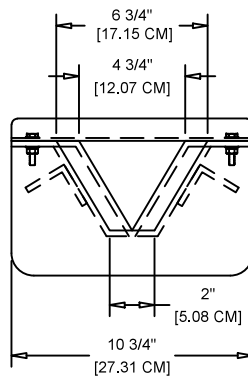
FLOW →



PLAN VIEW



ELEVATION VIEW



END ELEVATION VIEW

TASCAE, 1960, VOL. 3, NO. 2

△			
REV	REVISION DESCRIPTION	BY	DATE

NOTES:

- 1) FLOW IS FROM LEFT TO RIGHT
- 2) ALL HARDWARE TO BE STAINLESS STEEL
- 3) PULTRUDED FRP TOP STIFFENING ANGLES
- 4) MINIMUM FRP LAMINATE THICKNESS IS: 1/4" [0.635 CM] WITH 30% GLASS CONTENT AND 15 MIL (MIN.) GEL COAT WITH U.V. INHIBITORS

This drawing and the data contained within is the sole, confidential property of OPENCHANNELFLOW (OCF) and may not be copied, reproduced, disclosed to others, in whole or in part, without the prior written consent of OCF. OCF reserves the right to change any dimension, finish, material, or method of construction indicated on this drawing at will and without notice. This drawing is provided in confidence with the understanding it shall be returned to OCF upon demand.

OPENCHANNELFLOW
BOISE | ATLANTA

DWG NO. T-F-S6-N-N-N-N-N-N (1) DATE 18.07.19

FIBERGLASS SMALL 60° TRAPEZOIDAL FLUME

Unless otherwise indicated, dimensions are in feet and inches, with centimeters indicated in []. Angles are in degrees.

