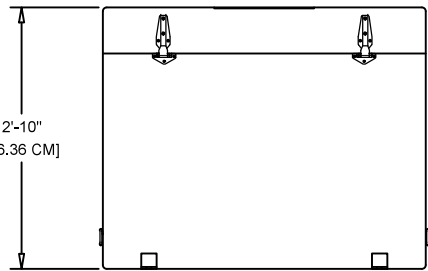
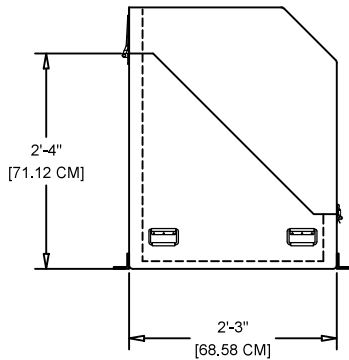


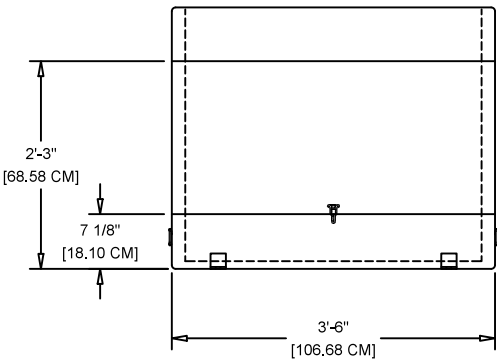
LEFT ELEVATION VIEW



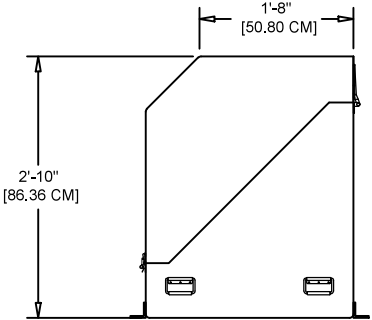
REAR VIEW



LEFT ELEVATION VIEW



FRONT VIEW



RIGHT ELEVATION VIEW

- NOTES:
 1) GAS STRUTS, HINGES, DRAW HASP, AND HANDLES
 2) MOLDED-IN RAIN GAUGE CAVITY
 3) STAINLESS STEEL ANCHORING FEET

OPENCHANNELFLOW BOISE ATLANTA		
DWG NO.	GEMINI-2 (1)	DATE 4.4.17
GEMINI EQUIPMENT / SAMPLER ENCLOSURE		

This drawing and the data contained within is the sole, confidential property of OPENCHANNELFLOW (OCF) and may not be copied, reproduced, disclosed to others, in whole or in part, without the prior written consent of OCF. OCF reserves the right to change any dimension, finish, material, or method of construction indicated on this drawing at will and without notice. This drawing is provided in confidence with the understanding it shall be returned to OCF upon demand.

Unless otherwise indicated, dimensions are in feet and inches, with centimeters indicated in []. Angles are in degrees.

