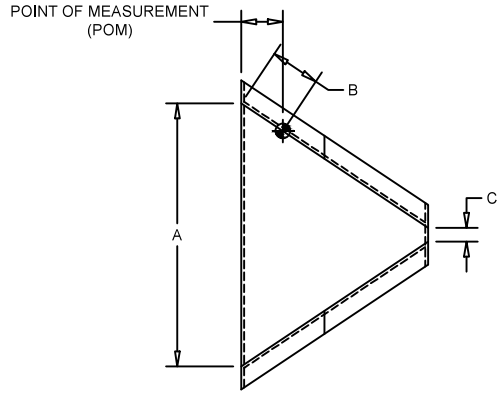
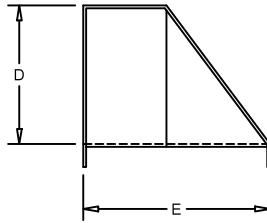


FLOW →



PLAN VIEW



ELEVATION VIEW

D (SIZE)	A	POM	B	C	E
0.4' HS [12.19 CM]	5 3/64" [12.80 CM]	2 13/32" [6.10 CM]	2 17/32" [6.43 CM]	15/64" [0.61 CM]	7 13/64" [18.29 M]
0.6' HS [18.29 CM]	7 9/16" [19.20 CM]	3 19/32" [9.14 CM]	3 51/64" [9.64 CM]	23/64" [0.91 CM]	10 51/64" [27.43 CM]
0.8' HS [24.38 CM]	10 5/64" [25.60 CM]	4 51/64" [12.19 CM]	5 1/64" [12.72 CM]	31/64" [1.22 CM]	1'-2 13/32" [36.58 CM]
1.0' HS [30.48 CM]	1'-0 19/32" [32.00 CM]	6" [15.24 CM]	6 21/64" [16.06 CM]	19/32" [1.52 CM]	1'-6" [45.72 CM]
0.5' H [15.24 CM]	11 13/32" [28.96 CM]	1 51/64" [4.57 CM]	2 5/32" [5.49 CM]	19/32" [1.52 CM]	8 3/32" [20.57 CM]
0.75' H [22.86 CM]	1'-5 3/32" [43.42 CM]	2 45/64" [6.86 CM]	3 1/4" [8.24 CM]	29/32" [2.29 CM]	1'-0 5/32" [30.86 CM]
1.0' H [30.48 CM]	1'-9 23/32" [55.16 CM]	3 19/32" [9.14 CM]	4 21/64" [10.99 CM]	1 13/64" [3.05 CM]	1'-4 13/64" [41.15 CM]
1.5' H [45.72 CM]	2'-10 13/64" [86.87 CM]	5 13/32" [13.72 CM]	6 31/64" [16.48 CM]	1 51/64" [4.57 CM]	2'-0 19/64" [61.72 CM]
2.0' H [60.96 CM]	3'-9 19/32" [115.82 CM]	7 13/64" [18.29 CM]	8 21/32" [21.98 CM]	2 13/32" [6.10 CM]	2'-8 13/32" [82.30 CM]
2.5' H [76.20 CM]	4'-9" [144.78 CM]	9" [22.86 CM]	10 13/16" [27.47 CM]	3" [7.62 CM]	3'-4 1/2" [102.87 CM]
3.0' H [91.44 CM]	5'-8 13/32" [173.74 CM]	10 51/64" [27.43 CM]	1'-0 63/64" [32.97 CM]	3 19/32" [9.14 CM]	4'-0 19/32" [123.44 CM]
4.5' H [137.16 CM]	8'-6 19/32" [260.60 CM]	1'-4 13/64" [41.15 CM]	1'-7 15/32" [49.45 CM]	5 13/32" [13.72 CM]	6'-0 29/32" [185.17 CM]
3.0' HL [91.44 CM]	9'-7 13/64" [292.60 CM]	9" [22.85 CM]	1'-0 23/32" [32.32 CM]	7 13/64" [18.28 CM]	4'-6" [137.16 CM]
4.0' HL [121.92 CM]	12'-9 19/32" [390.13 CM]	1' [30.48 CM]	1'-4 31/32" [43.09 CM]	9 19/32" [24.37 CM]	6" [182.88 CM]



NOTES:
1) FLOW IS FROM LEFT TO RIGHT

OPENCHANNELFLOW
BOISE | ATLANTA

DWG NO. HS / H / HL FLUME MASTER DATE 8.19.16

HS / H / HL FLUME MASTER DIMENSIONS

This drawing and the data contained within is the sole, confidential property of OPENCHANNELFLOW (OCF) and may not be copied, reproduced, disclosed to others, in whole or in part, without the prior written consent of OCF. OCF reserves the right to change any dimension on this drawing at will and without notice. This drawing is provided in confidence with the understanding it shall be returned to OCF upon demand.

Unless otherwise indicated, dimensions are in feet and inches, with centimeters indicated in []. Angles are in degrees.



REV	REVISION DESCRIPTION	BY	DATE